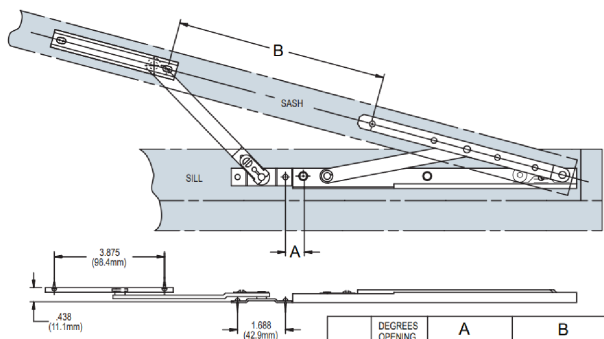
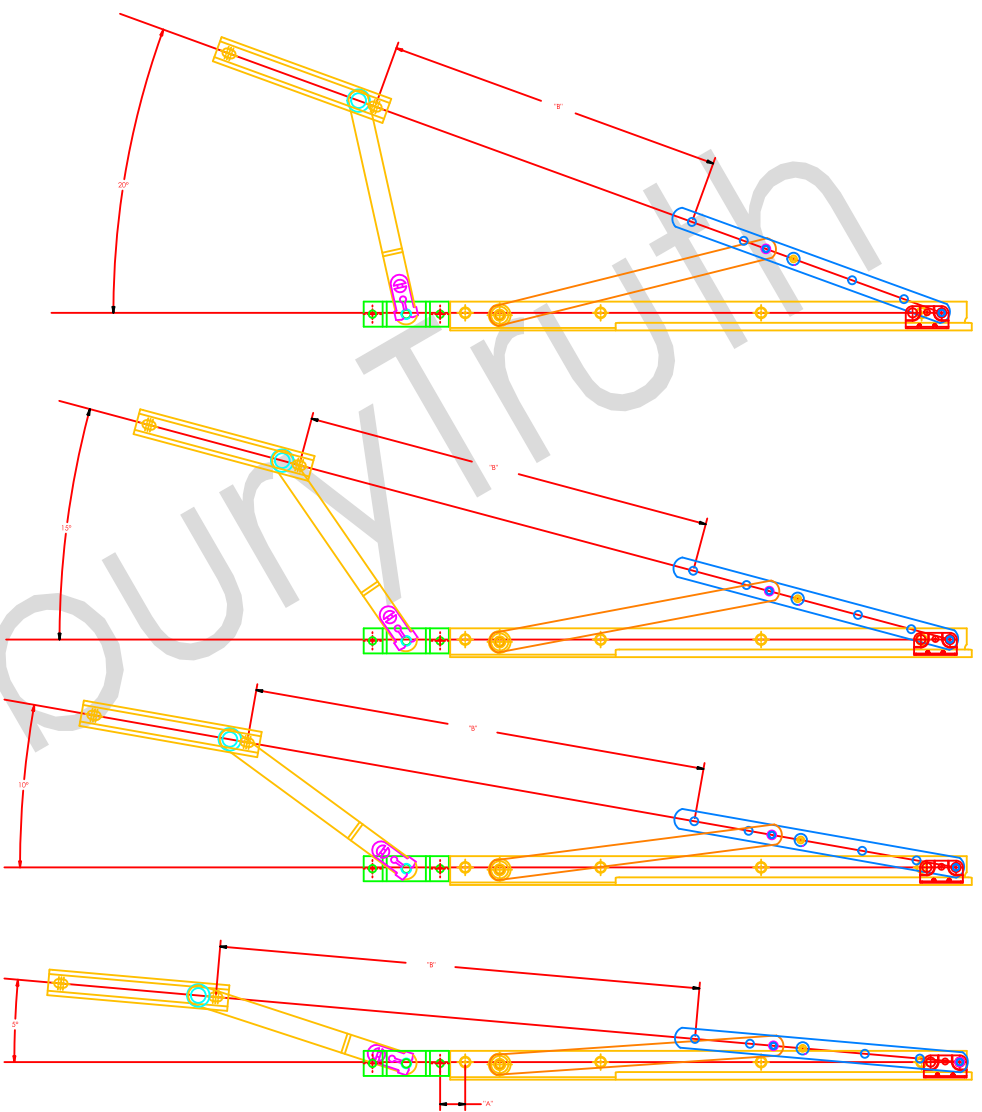


APPLICATION OF THE AMESBURYTRUTH LIMIT DEVICE
(When used with concealed casement 2 bar hinges)

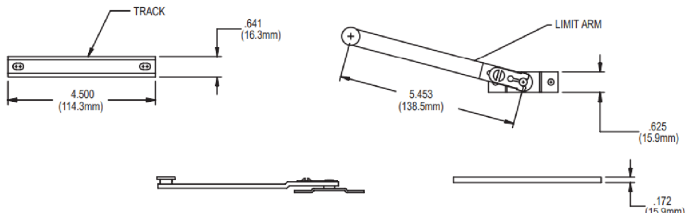


NOTE: MOUNTING DIMENSIONS MAY VARY WHEN USED WITH OTHER TYPES OF HINGES.
ADDITIONAL TYPES OF LIMIT DEVICES ARE AVAILABLE FROM TRUTH

10" HINGE	DEGREES OPENING	A	B
	5	6.125 (155.6mm)	14.188 (360.4mm)
10	6.25 (15.9mm)	8.375 (212.7mm)	
15	6.25 (15.9mm)	7.656 (194.5mm)	
20	6.25 (15.9mm)	6.625 (168.3mm)	
13" HINGE	DEGREES OPENING	A	B
	5	6.125 (155.6mm)	14.250 (362.0mm)
10	6.25 (15.9mm)	13.344 (288.1mm)	
15	6.25 (15.9mm)	10.150 (258.0mm)	
20	6.25 (15.9mm)	8.313 (211.2mm)	



99.20 LIMIT DEVICE (Optional SST 99.24)



SCREWS INCLUDED:
2 (PIN 19090.92) #7 X .750 PHILLIPS, PAN HEAD, STEEL SHEET METAL SCREWS (BKT) - SUPPLIED WITH PRODUCT
2 (PIN 19091.92) #7 X .750 PHILLIPS, PAN HEAD, STAINLESS STEEL SHEET METAL SCREWS (TRACK) - SUPPLIED WITH PRODUCT